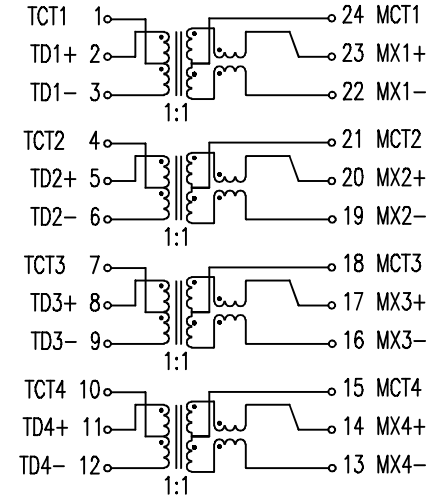


SUGGESTED PAD LAYOUT



ELECTRICAL CHARACTERISTICS :

- INSULATION HI-POT(PRI./SEC.) : 1500Vrms
- TURN RATIO ($\pm 5\%$) : TX = 1CT : 1CT
RX = 1CT : 1CT
- OCL : 350uH MIN. 100KHz/0.1V AT 8mA DC BIAS
- INSERTION LOSS : 1-100MHz = -1.0dB MAX.
- RETURN LOSS (dB MIN.) : 1-30MHz 40MHz 50MHz 60-80MHz 100MHz
-18 -14.4 -13.1 -12 -10
- CROSS TALK (dB MIN.) : 30MHz 60MHz 100MHz
-45 -40 -35
- COMMON MODE REJECTION (dB MIN.) : 30MHz 60MHz 100MHz
-43 -37 -33
- LEAKAGE INDUCTOR (100KHz, 0.1Vrms) : 0.5uH MAX.
- Suitable for End-span POE applications with 720mA current capability
- RoHS COMPLIANT

								TITLE 100/1000 BASE-T PoE TRANSFORMER	
								DWG. NO. ATPL-429R	
RELEASE						UNITS:		SAFETY	
NO: DESCRIPTION DATE BY CHK APPD						DATE		P/N:	
REVISIONS								SHEET 1 of 1 DRAW	